

VULCAN X

Vehicle Mount Computer

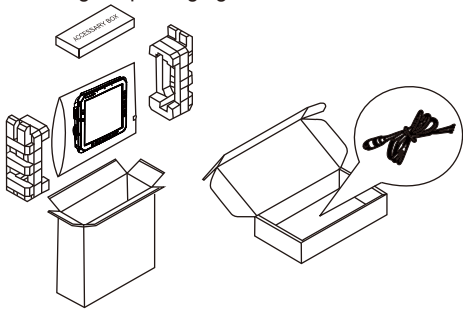
Quick Start Guide

PACKAGE LIST

Before you begin the installation or configuration process, make sure all the components and accessories are intact. Contact your representative if any is missing or damaged. Please verify the delivery of the contents upon receipt.

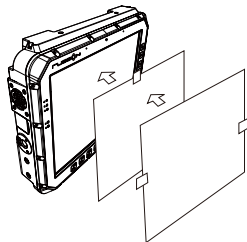
- VULCAN X Vehicle Mount Computer (Model: VX-501)
- Quick Start Guide
- Touch Screen Protection Film
- Accessory Box Enclosed with One M12 Cable with Fork Terminals (Length: 2 Meters)

NOTE: The packaging material provides optimal protection to your device. After unpacking, **DO** store the original packaging material in the event that you need to return for shipment.



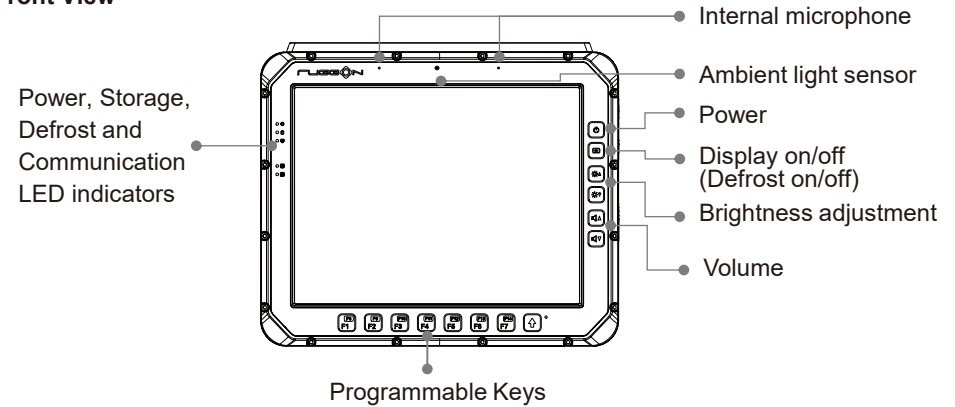
TOUCH SCREEN PROTECTION FILM

The protection film that is attached to the screen in the package is intended for you to increase the durability of touch screen and protect it from scratching, etching, and damage.



PRODUCT INTRODUCTION

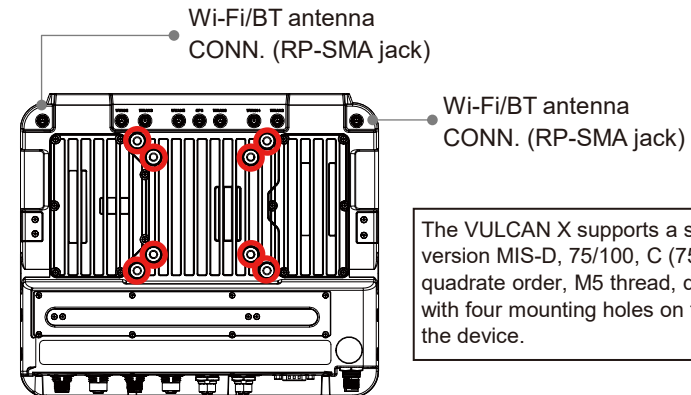
Front View



The LED indicators on VULCAN X show the operating status of your system.

LED	Status	Description
Power	Blink Green	Power up
Power	Blink Yellow	Load BIOS
Power	Solid Green	System ready to use
Power	Blink Red	Vehicle battery abnormal
Defrost	Solid Green	Function turn on/defrost function mark (defrost LED light will only be present for defrost versions)
WWAN	Solid Green	WWAN enabled
WIFI/ BT	Solid Green	WIFI/ BT enabled

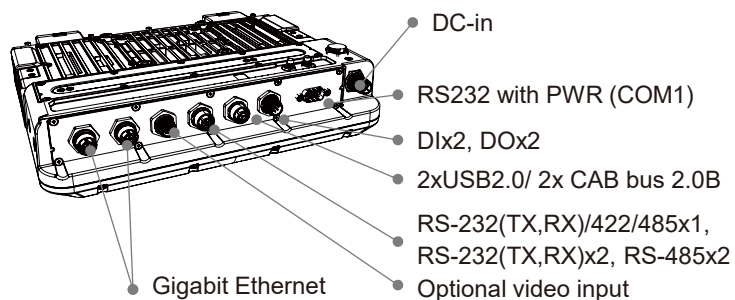
Rear View



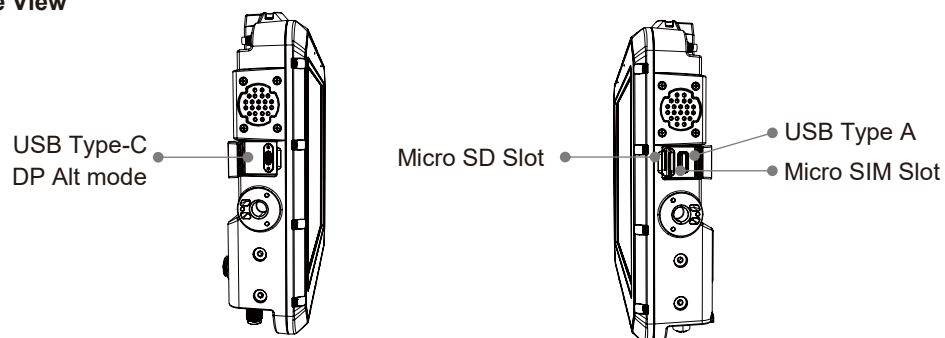
The VULCAN X supports a standard VESA version MIS-D, 75/100, C (75/100mm distance quadrate order, M5 thread, deepness 9mm) with four mounting holes on the back side of the device.

PRODUCT INTRODUCTION

Bottom View



Side View

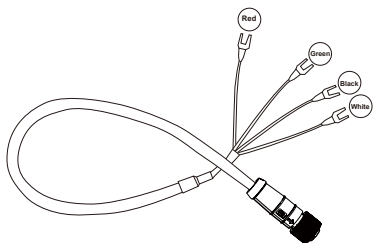


POWERING ON THE SYSTEM

VULCAN X supports a wide range of DC power input (9~60V) via a 4-pin M12 S-code power cord. You can power on the VULCAN X through either a vehicle battery or an external power adapter.

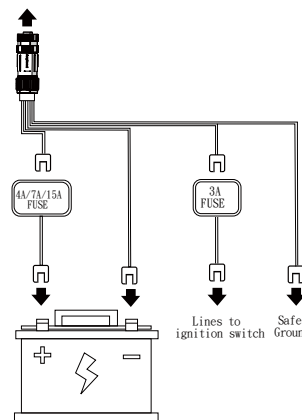
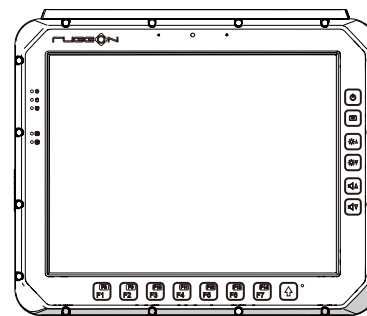
Power on through vehicle battery

1. The bare wire lead cable lets you directly wire to 12V, 24V or 48V car power supply.
2. Please refer to the wire definition below for connecting your power source.



Wire Color	Description
RED	V+
BLACK	V-
GREEN	PE (Safety Ground)
WHITE	ACC/ Ignition

POWERING ON THE SYSTEM



Fuse Requirements

Fuses* are required in connecting the power cable and battery in series and add 3A fuse in ACC/ignition line to avoid the risks of wire damage and vehicle burning. For detailed power wiring diagram, please refer to the Powering the System section of Chapter 4 in VULCAN X's user manual.

Notes:

- * 4A for 48VDC power input
- * 7A for 24VDC power input
- * 15A for 12VDC power input



Make sure that all power supplies are disconnected when you plug the power cord into the power connector.

Power on through external power adapter

Please connect red (V+) wire to white (ACC/ Ignition) wire to power on VULCAN X through an external power adapter. ACC/Ignition mode is not supported in such condition.

FURTHER INFORMATION

1. If VULCAN X is connected to vehicle battery, the system will follow your delay off setting first, and then perform a graceful shutdown in one minute when unexpected power outage happen.
2. If VULCAN X is connected to power adapter, the system will consume internal battery instead and perform a graceful shutdown in one minute when unexpected power outage happen.
3. Please press F2/F4/F6 function key simultaneously to load the default setting of power management while system failing in power on after your configuring in power management in DashON. And then press power button to power on the system.