

86" 4K UHD Professional Digital Signage 24/7 display featuring Android OS, FailOver and Intel® SDM slot

Choose non-stop high performance and reliability with the ideal all-in-one signage solution for mission critical environments. The LH8654UHS from iiyama is a 500cd/m² high brightness professional large format display and can be operated in landscape or portrait orientation in continual around the clock environments 24/7 without any interruption. Its versatility can be adapted to your industry's display needs. On-board Android OS means you can customize the display to your needs and install applications directly to it.

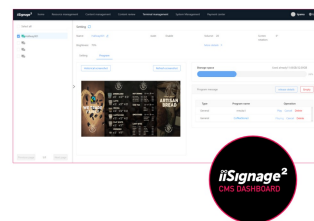
The on-board CMS (Content Management Software) gives you total control of your messaging and advertising remotely and safely. The SDM Slot provides embedded PC option for total flexibility, security and control, while the Signal FailOver feature ensures your content is always actively displayed through your choice of inputs. WiFi enabled, this series is ready for remote content delivery using your network or you can choose to utilise LAN control.

With the [EShare app](#) you bring effortless ideation and efficient collaboration in your enterprise or school. You can start sharing wirelessly easier than ever before.



Android OS

Thanks to Android OS, you can easily customize the display to your needs by installing applications directly to it.



iiSignage²

iiSignage² is our digital signage content management platform to easily show and control your content and to manage your displays in a secure way. The Content Management System (CMS) gives you total control of your messaging and advertising remotely and safely.

01 DISPLAY CHARACTERISTICS

Design	Thin bezel
Diagonal	85.6", 217cm
Panel	IPS, AG coated glass, matte finish, haze 25%
Native resolution	3840 x 2160 @60Hz (8.3 MegaPixels 4K UHD)
Aspect ratio	16:9
Panel brightness	500 cd/m ²
Static contrast	1400:1
Response time (GTG)	8ms
Viewing zone	horizontal/vertical: 178°/178°, right/left: 89°/89°, up/down: 89°/89°
Colour support	1.07B 8bit+FRC (NTSC 72%)
Horizontal Sync	28 - 160kHz
Viewable area W x H	1895 x 1066mm, 74.6 x 42"
Pixel pitch	0.494mm
Bezel colour and finish	black, matte

02 INTERFACES / CONNECTORS / CONTROLS

Analog signal input	VGA x1 (DVI-I: VGA+DVI)
Digital signal input	DVI x1 (max. 2560x1440 @60Hz) HDMI x3 (v.2.0, max. 3840x2160 @60Hz, ARC on HDMI #3) DisplayPort x1 (v.1.4, max. 3840x2160 @60Hz)
Audio input	Mini jack x1 (3.5mm)
Monitor control input	RS-232c x1 (2.5mm sub-mini jack) RJ45 (LAN) x1 IR x1 (3.5mm stereo mini)
Digital signal output	DisplayPort x1 (max. 3840x2160 @60Hz, MST-out Daisy Chain v.1.2)
Audio output	Mini jack x1 Speakers 2 x 10W
Monitor control output	RS-232c x1 (2.5mm sub-mini jack) IR loop through x1 (3.5mm stereo mini)
HDCP	v.2.2
USB ports	x2 (v.2.0)

03 FEATURES

Integrated software	Android 11 OS, iiSignage ² , FailOver, EShare
WiFi	yes (Built-in, 802.11ac)
Hardware	CPU: A73*4+A53*4, Memory: 4GB, Storage: 32GB
Extra	Intel® SDM-L, micro SD card slot
Max. non-stop operating time	24/7
Anti image retention	yes
Video wall / daisy chain	Yes, (MST-output)
Media playback	yes
Housing (bezel)	metal

04 GENERAL

OSD languages	EN, DE, FR, ES, IT, CN, RU, JP, CZ, NL, PL, SV, FI, DA, NB
Control buttons	Power, Up, Down, Volume up, Volume down, Mute, Input, Menu

User controls

picture (brightness, contrast, sharpness, black level, tint, colour, noise reduction, gamma selection, colour temperature, colour control, over scan, picture reset), screen (H. position, V. position, clock, clock phase, zoom mode, custom zoom, auto adjust, screen reset), Audio (balance, treble, bass, volume, audio out, maximum volume, minimum volume, mute, audio source, audio reset, audio out sync, speaker setting), configuration 1 (switch on state, panel saving, RS232-routing, boot on source, WOL, configuration 1 reset, factory reset), Configuration 2 (OSD timeout, OSD H-Position, OSD V-position, rotation, information OSD, logo and animation logo setting, animation setting, monitor ID, group ID, monitor information, DP version, DP monitors, HDMI version, configuration 2 reset), advanced option (IR control, power LED light, keyboard control, tiling, off timer, schedule, HDMI with one wire, HDMI with one wire power off, FailOver, language, OSD transparency, power saving, SDM settings, advanced option reset), Android settings (network & internet, apps & notifications, display, signage display, security, language & input, date & time, about device)

Plug&Play

DDC2B

05 MECHANICAL

Orientation

landscape, portrait

Fanless design

yes

VESA mounting

600 x 400mm

Mini PC mount

VESA 100 x 100

Operation temperature range

0°C - 40°C

Storage temperature range

- 20°C - 60°C

MTBF

50.000 hours (excluding backlight)

06 ACCESSORIES INCLUDED

Cables

power, HDMI, RS-232c

Guides

quick start guide, safety guide

Other

Stickers for screw holes, wire buckles

Remote control

yes (batteries included)

07 POWER MANAGEMENT

Power supply unit

internal

Power supply

AC 100 - 240V, 50/60Hz

Power usage

349W typical, 0.5W stand by, 0.5W off mode

08 SUSTAINABILITY

Regulations

CB, CE, TÜV-Bauart, EAC, RoHS support, ErP, WEEE, REACH

Energy efficiency class (Regulation (EU) 2017/1369)

G

09 DIMENSIONS / WEIGHT

Product dimensions W x H x D

1933 x 1103.1 x 86.1mm

Box dimensions W x H x D

2130 x 1250 x 275mm

Weight (without box)

55.2kg

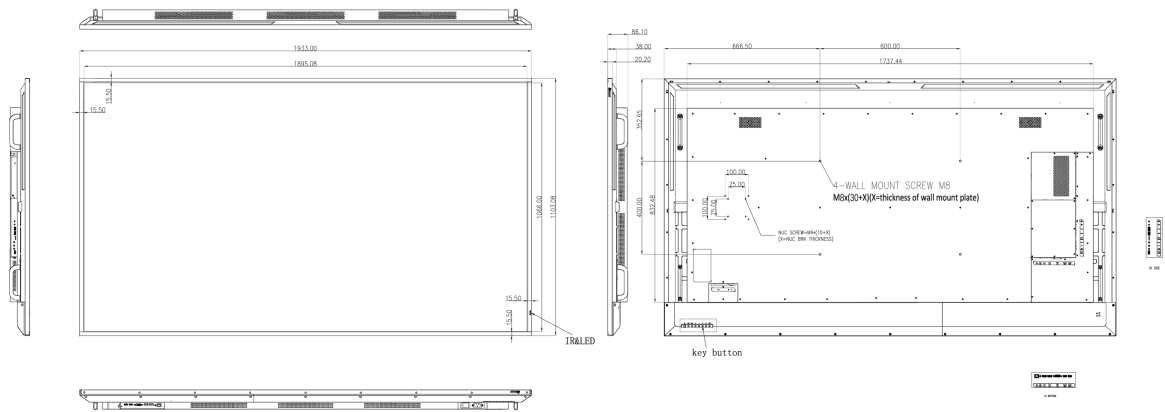
Weight (with box)

73.7kg

EAN code

4948570121021

LH8654UHS-B1AG



All trademarks and registered trademarks acknowledged. E & O E. Specification subject to change without notice. All LCD's comply with ISO-9241-307:2008 in connection with pixel defects.

© IYAMA CORPORATION. ALL RIGHTS RESERVED